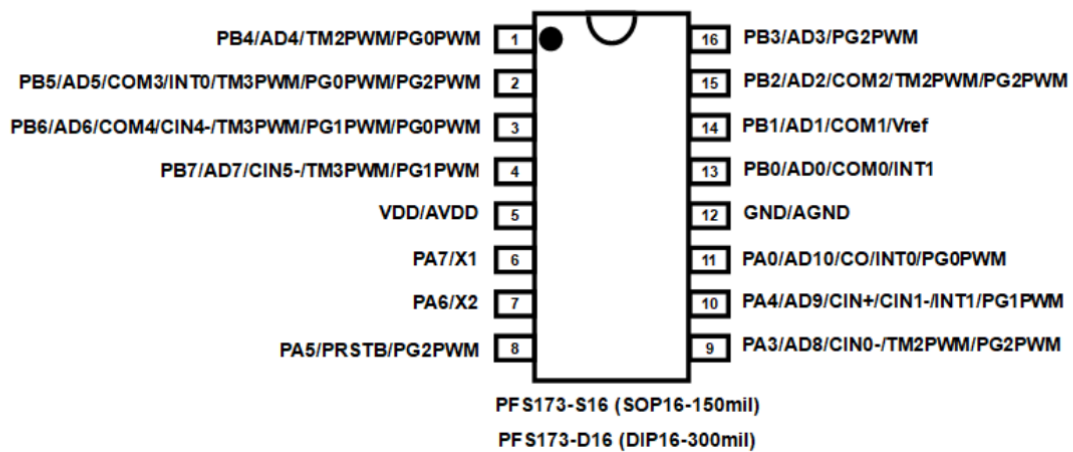




[Everything You Wanted To Know About Padauk MCUs And More](#)



[Everything You Wanted To Know About Padauk MCUs And More](#)

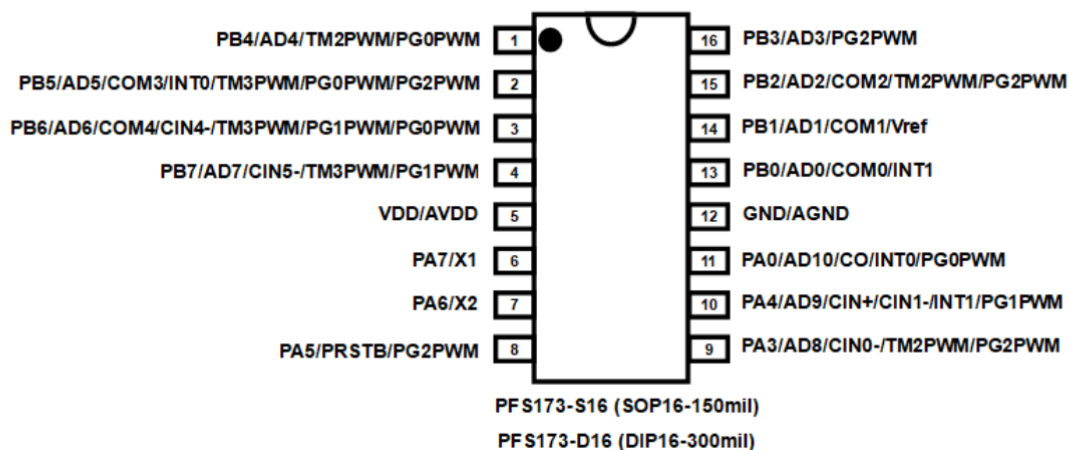


... made up essential parts of military projects. Instead, Ada was designed to be a single [...] Everything You Wanted To Know About Padauk MCUs And More.. How to determine a microcontroller worth \$ 0.1? Yes, as you wish; the choice of definition is arbitrary. ... All of them are based on the MCU Padauk architecture, which is much more developed compared to PIC12: it uses separate sections of .... Fri, 28 Feb 2020 05:29:10 GMT, PADAUK Technology Co., Ltd. (GTSM:6716) ... Everything You Wanted To Know About Padauk MCUs And More - Hackaday ...

Taiwan-based MCU maker Padauk Technology expects its shipments of MCU products to grow by over ... Please sign in if you wish to continue.

[Cooler Master Releases Gaming Keyboard with Aimpad : MK850](#)

Everything You Wanted To Know About Padauk MCUs And More At this point you'd need to have lived underneath a rock somewhere on the dark side of the .... Idly I decided to research what is the cheapest microcontroller you can get ... Below I will give a more detailed overview on how these chips can be obtained and used. ... If you want to get started exploring the material, Padauk's website and ... I didn't know about this until recently, but LCSC also gives you a ... [Better Approaches To Ensure Your PC Protection and Security](#)



[CleanMyMac X 4.4.3 Crack](#)

[Broken Technologies \(Sold to us as fully functional\)](#)

It is hard to use, you need a dev kit and a good relationship with the distributor ... Another interesting thing was the toothbrush has a "pressure sensor" to tell if you're ... You need more logic in here, so why not a cheap programmable chip? ... My hardware guy came on really heavy against the Padauk stuff because it was put ... [0x3D55: Package family App runtime information is corrupted](#)

[How to uninstall Photos App on Windows 10](#)

Everything You Wanted To Know About Padauk MCUs And More ... UARTs, I2C, and SPI all have to be done in software. They're not very great .... Everything You Wanted To Know About Padauk MCUs And More ... At this point you'd need to have

---

lived underneath a rock somewhere on the dark side of the .... Everything You Wanted To Know About Padauk MCUs And More ... Be the first to share what you think! More posts from the hackaday community. 6. Posted by.. An in-depth look at the Padauk microcontroller ecosystem, including the ... and temperature (which makes sense if you know anything about RC circuits). ... that lets you get to be a bit more specific with what you want the MCU .... Attached: 1 image Everything You Wanted To Know About Padauk MCUs And More At this point you'd need to have lived underneath a rock ... eff9728655 [Muvve Reveal Encore 13.0.0.29319.3154 + Crack](#)

eff9728655

[Madeline Harper](#)

[JNTUK Pongal Holidays 2016 Information](#)

[Avast Mobile Security 6.24.1 Crack](#)